



# JUST RIGHT CARBINES

## SAFETY AND INSTRUCTION MANUAL



(Accessories shown not included)

### **THE J R CARBINE**

### **PROUDLY MADE IN THE USA!**

**!! WARNING: READ THE INSTRUCTIONS AND WARNINGS IN THIS MANUAL CAREFULLY BEFORE USING THIS FIREARM.**

THANK YOU FOR YOUR PURCHASE OF A J R CARBINE.  
THIS MANUAL WILL HELP YOU USE YOUR CARBINE SAFELY.

# READ THESE IMPORTANT REQUIREMENTS AND TIPS BEFORE HANDLING OR SHOOTING!

## !! WARNING

- !! READ THESE INSTRUCTIONS AND WARNINGS CAREFULLY AND THOROUGHLY BEFORE REMOVING THIS FIREARM FROM ITS PACKAGING, AND PRIOR TO LOADING AND FIRING. UNDERSTAND THESE INSTRUCTIONS AND WARNINGS BEFORE USING THIS FIREARM. FAILURE TO READ THESE INSTRUCTIONS AND TO FOLLOW THESE WARNINGS MAY RESULT IN SERIOUS INJURY OR DEATH TO YOU AND OTHERS, AND DAMAGE TO PROPERTY.**
- !! KEEP THIS SAFETY & INSTRUCTION MANUAL WITH THIS FIREARM AT ALL TIMES. TRANSFER IT WITH THIS FIREARM UPON CHANGE OF OWNERSHIP OR WHEN PRESENTING IT TO ANOTHER PERSON.**
- !! THOROUGHLY CLEAN YOUR J R CARBINE BEFORE SHOOTING IT FOR THE FIRST TIME. IN ORDER TO ENSURE MAXIMUM FUNCTION AND RELIABILITY YOUR CARBINE SHOULD BE CLEANED AND LUBRICATED EVERY 200 ROUNDS OR BETWEEN SHOOTING SESSIONS – WHICHEVER OCCURS SOONER. USE **SLIP 2000 EWL (EXTREME WEAPONS LUBRICANT)** ON YOUR FIREARM – **SLIP 2000 EWL** IS BOTH A LUBRICANT AND A CLEANING SOLUTION. *SEE PAGE 22 FOR FURTHER INFORMATION.***
- !! USE MAGAZINES MADE BY THE ORIGINAL EQUIPMENT MANUFACTURER (OEM). THIS FIREARM HAS BEEN DESIGNED TO USE POPULAR OEM PISTOL MAGAZINES. AFTERMARKET MAGAZINES CAN VARY WIDELY FROM OEM SPECIFICATIONS, SO THEY MAY OR MAY NOT WORK WELL IN YOUR CARBINE. *SEE PAGE 26 FOR FURTHER INFORMATION ON GLOCK MAGAZINES.***
- !! BUTTSTOCK WARNING! BEFORE USING AN AFTERMARKET COLLAPSIBLE/CARBINE BUTTSTOCK YOU **MUST** TRANSFER THE RUBBER BUMPER, NYLON DISC, BUFFER SPRING, AND BUFFER FROM THE ORIGINAL BUTTSTOCK ASSEMBLY. FAILURE TO DO SO WILL VOID THE WARRANTY FOR ANY RESULTING DAMAGE TO YOUR J R CARBINE. [NOTE: IF YOU CHOOSE TO INSTALL A RIFLE-LENGTH, NON-COLLAPSIBLE BUTTSTOCK YOU **MUST** CALL JUST RIGHT CARBINES FOR INSTRUCTIONS BEFORE DOING SO.] *SEE PAGES 20 & 25 FOR FURTHER DIRECTIONS AND INFORMATION.***
- !! NO-SLAP WARNING! Do NOT SLAP THE MAGAZINE INTO THE MAGAZINE WELL. THERE IS NO INTERNAL STOP TO PREVENT MAGAZINE OVER-INSERTION. SLAPPING THE MAGAZINE INTO PLACE CAN DAMAGE THE MAGAZINE AND PREVENT PROPER OPERATION. *SEE PAGE 15 FOR PROPER LOADING INSTRUCTIONS.***

# CONTENTS

READ FIRST! .....	2
BUTTSTOCK CHANGE WARNING .....	2,25
YOUR SAFETY RESPONSIBILITIES .....	4
SAFE HANDLING.....	4
SAFE CARRY AND TRANSPORT .....	5
SAFE STORAGE.....	5
LOCKING YOUR FIREARM .....	6
USE CORRECT AMMUNITION .....	7
USE HIGH QUALITY AMMUNITION.....	8
ALUMINUM/STEEL AMMUNITION WARNING .....	9
SHOOTING.....	9
AMMUNITION FAILURES .....	10
MAINTENANCE .....	10
FEATURES OF THE J R CARBINE .....	11
COMPONENTS .....	12
DESCRIPTION .....	13
SUB-ASSEMBLIES .....	13,14
UNLOADING .....	14
LOADING.....	15
MAGAZINE WELL & FIRING GROUP DISASSEMBLY .....	15
BUTTSTOCK DISASSEMBLY .....	16
BOLT DISASSEMBLY.....	17
FOREND REMOVAL.....	18
BARREL REMOVAL.....	18
RECEIVER & EJECTOR DISASSEMBLY .....	18
CHANGING DIRECTION OF EJECTION .....	19
RECEIVER AND EJECTOR REASSEMBLY .....	19
ASSEMBLING THE BARREL AND FOREND .....	20
ASSEMBLING THE BOLT .....	20
ASSEMBLING THE BUTTSTOCK.....	21
ASSEMBLING THE MAGAZINE WELL & FIRING ASSEMBLY .....	21
REASSEMBLY CHECK.....	21
INTERCHANGING CALIBERS .....	21
CLEANING.....	22
DISCLAIMER OF LIABILITY .....	22
LEAD EXPOSURE WARNING.....	22
LUBRICATION.....	22
J R CARBINE PARTS LIST.....	23
WARRANTY SERVICE POLICY & PROCEDURE.....	24
BUTTSTOCK/BUFFER ASSEMBLY DIAGRAM & INSTRUCTIONS.....	25
GLOCK MAGAZINE INFORMATION.....	26
MAIL-IN WARRANTY REGISTRATION CARD .....	27

# **SAFETY DISCLAIMER:**

## **SAFETY IS YOUR NUMBER ONE**

### **RESPONSIBILITY!!!!**

YOUR FIRST CONCERN AS A FIREARM OWNER SHOULD BE SAFETY, REGARDLESS OF WHETHER YOU ARE IN THE FIELD, AT HOME, OR AT THE RANGE. APPLY THE SAFETY RULES LISTED BELOW AND THROUGHOUT THIS MANUAL IN EVERY SITUATION, WITH ANY KIND OF FIREARM. IF YOU ARE UNSURE ABOUT ANY OPERATIONAL ASPECTS OF YOUR FIREARM, PLEASE CONTACT JUST RIGHT CARBINES (JRC) AT 1- (877) 778-8452 BEFORE PROCEEDING WITH ITS OPERATION.

**!! WARNING: YOU MUST FOLLOW ALL OF THESE SAFETY RULES TO ENSURE THE SAFE USE OF YOUR FIREARM. IF YOU FAIL TO FOLLOW THE INSTRUCTIONS AND WARNINGS IN THIS MANUAL YOU COULD CAUSE SERIOUS PERSONAL INJURY OR DEATH TO YOURSELF OR OTHERS, AS WELL AS DAMAGE TO PROPERTY.**

**!** YOU ARE THE MOST IMPORTANT SAFETY DEVICE WHEN IT COMES TO THE USE OF YOUR FIREARM AND NEITHER JUST RIGHT CARBINES NOR THE DISTRIBUTORS, WHOLESALERS, OR DEALERS OF THIS FIREARM WILL BE RESPONSIBLE FOR ANY PERSONAL INJURY, DEATH OR PROPERTY DAMAGE THAT RESULTS FROM: (1) THE CRIMINAL OR NEGLIGENT USE OF THIS FIREARM; (2) A DISREGARD OF THESE SAFETY INSTRUCTIONS AND WARNINGS; (3) IMPROPER OR CARELESS HANDLING OF THIS FIREARM; (4) THE USE OF NON-STANDARD, DEFECTIVE, IMPROPER OR RELOADED AMMUNITION; OR (5) IMPROPER OR NEGLIGENT MODIFICATIONS OR REPAIRS TO THIS FIREARM.

**!** **USE YOUR FIREARM ONLY FOR LEGAL PURPOSES.** LEGAL PURPOSES INCLUDE TARGET SHOOTING, HUNTING AND LAWFULLY RESISTING DEADLY CRIMINAL FORCE. YOU **MUST** ENSURE THAT YOU ARE IN COMPLIANCE WITH ALL APPLICABLE LAWS AND ORDINANCES REGARDING THE USE OF YOUR FIREARM.

**!** **NEVER USE ALCOHOL OR DRUGS BEFORE OR WHILE SHOOTING.** DO NOT USE YOUR FIREARM IF YOU ARE ON ANY MEDICATION THAT IMPAIRS, EVEN SLIGHTLY, YOUR MENTAL OR PHYSICAL ABILITY.

## **SAFE HANDLING**

**!** **BEFORE HANDLING ANY FIREARM, UNDERSTAND ITS OPERATION.** NOT ALL FIREARMS ARE THE SAME. FAMILIARIZE YOURSELF WITH THE MECHANICAL FEATURES OF ANY FIREARM YOU INTEND TO USE. IF YOU FEEL UNCERTAIN ABOUT ANY OPERATIONAL ASPECTS OF YOUR FIREARM, PLEASE CONTACT JUST RIGHT CARBINES AT 1- (877) 778-8452 BEFORE PROCEEDING WITH ITS OPERATION.

- ! **NEVER RELY ON MECHANICAL SAFETY FEATURES ALONE to ensure safety.** THE ONLY SURE WAY TO ENSURE THE SAFE USE OF YOUR FIREARM IS TO ALWAYS PRACTICE SAFE FIREARM-HANDLING HABITS. THIS IS YOUR RESPONSIBILITY.
- ! **ALWAYS TREAT EVERY FIREARM AS IF IT IS LOADED AND WILL FIRE.** ALWAYS PERSONALLY CHECK FOR YOURSELF TO DETERMINE THAT THE FIREARM IS UNLOADED; DO NOT TAKE ANYONE'S WORD ON IT. ALWAYS LOCK THE BOLT OF YOUR FIREARM TO THE REAR AND LOOK THROUGH THE OPEN EJECTION PORT TO EXAMINE THE CHAMBER AND VISUALLY CHECK THAT IT IS UNLOADED BEFORE PASSING IT TO ANOTHER PERSON. **YOU MUST FOLLOW THIS PROCEDURE EVERY TIME A FIREARM LEAVES YOUR HAND, IS CLEANED, HANDED TO YOU OR ANOTHER PERSON, TRANSPORTED OR STORED.**
- ! **IF YOU VIOLATE THE RULES OF SAFE FIREARM HANDLING** OR FAIL TO USE COMMON SENSE YOU WILL EVENTUALLY CAUSE AN ACCIDENT. FIREARM SAFETY TRAINING IS AVAILABLE. CONTACT YOUR FIREARMS DEALER, LAW ENFORCEMENT AGENCY, LOCAL SPORTSMAN'S CLUB, ETC. FOR AVAILABILITY.

## **SAFE CARRY AND TRANSPORT**

- !! **WARNING: DO NOT CARRY THIS CARBINE WITH THE BOLT OPEN AND A LOADED MAGAZINE IN THE CARBINE.** AN ACCIDENTAL DISCHARGE MAY RESULT IF THE BOLT CLOSSES AND THE SAFETY LEVER IS NOT IN THE "SAFE" POSITION, LEADING TO DEATH OR INJURY TO THE SHOOTER OR BYSTANDERS AND DAMAGE TO PROPERTY.
- !! **WARNING: NEVER STRIKE OR DROP THE FIREARM. DOING SO MAY CAUSE A ROUND TO CHAMBER.**
- !! **WARNING: THIS CARBINE WILL STILL FIRE WITH THE MAGAZINE REMOVED IF A ROUND REMAINS IN THE CHAMBER.** WHEN REMOVING THE MAGAZINE YOU MUST ALSO PROPERLY CLEAR THE CHAMBER AND VISUALLY INSPECT IT TO ENSURE THAT IT IS CLEAR OF ANY ROUNDS.
- ! **NEVER CROSS OBSTACLES SUCH AS FENCES OR STREAMS WITH A LOADED FIREARM.** ALWAYS MAKE CERTAIN YOUR FIREARM IS UNLOADED BEFORE CROSSING A FENCE, CLIMBING A TREE, JUMPING A DITCH OR NEGOTIATING OTHER OBSTACLES.
- ! **NEVER TRANSPORT A LOADED FIREARM.** WHEN TRANSPORTING YOUR FIREARM, BE SURE IT IS UNLOADED AND LOCKED. SAFE AND SECURE TRANSPORTATION OF YOUR FIREARM IS YOUR RESPONSIBILITY.

## **SAFE STORAGE**

- !! **WARNING: FIREARMS ARE DANGEROUS WHEN USED AND STORED IMPROPERLY. THEY POSE A RISK OF SERIOUS OR FATAL INJURIES. FIREARMS CAN BE ESPECIALLY DANGEROUS TO CHILDREN WHEN THEY ARE STORED IN AN IRRESPONSIBLE AND UNSAFE MANNER.**

- ! **ALWAYS SAFELY STORE AND SECURE YOUR FIREARM.** YOU MUST KEEP YOUR FIREARM LOCKED AND UNLOADED IN A SECURE PLACE FOR YOUR SAFETY AND THE SAFETY OF OTHERS. YOU SHOULD STORE AMMUNITION IN A SEPARATE, SECURE LOCATION WHEN IT IS NOT IN USE. IF YOU FAIL TO DO SO, YOU OR OTHERS MAY SUFFER SERIOUS INJURY OR DEATH AS A RESULT.
- ! **ALWAYS SECURE YOUR FIREARM IN A MANNER THAT WILL PREVENT UNAUTHORIZED ACCESS.** KEEP YOUR FIREARM UNLOADED AND LOCKED WHEN NOT IN USE. YOUR SAFETY AND THE SAFETY OF OTHERS REQUIRE THAT YOU ALWAYS SECURE AND STORE YOUR FIREARM IN A MANNER THAT WILL PREVENT UNAUTHORIZED ACCESS. NEVER LEAVE A FIREARM UNATTENDED UNLESS IT IS LOCKED, UNLOADED AND SECURED. **YOU MUST ALWAYS SECURE YOUR FIREARM AND AMMUNITION SEPARATELY SO THAT THEY ARE NOT ACCESSIBLE TO CHILDREN AND/OR OTHER UNAUTHORIZED PERSONS.**
- ! **NEVER ASSUME THAT A “HIDING” PLACE IS A SECURE STORAGE METHOD.** OTHERS MAY BE AWARE OF YOUR STORAGE LOCATION OR COME UPON IT BY CHANCE. IT IS YOUR PERSONAL RESPONSIBILITY TO USE COMMON SENSE WHEN STORING YOUR FIREARM AND AMMUNITION AND TO ALWAYS MAKE SURE THEY ARE NOT ACCESSIBLE TO CHILDREN OR OTHER UNAUTHORIZED PERSONS.
- ! **NEVER ASSUME THAT THE USE OF A LOCK IS SUFFICIENT TO SAFELY SECURE YOUR FIREARM.** YOU MUST ALWAYS EVALUATE YOUR PERSONAL SITUATION AND EMPLOY THE SECURITY SYSTEMS THAT MEET YOUR NEEDS AND PREVENT CHILDREN AND UNAUTHORIZED USERS FROM GAINING ACCESS TO YOUR FIREARM. **NEVER LEAVE THE KEY TO A FIREARM LOCK WITH THE STORED FIREARM.**
- ! **ALWAYS FOLLOW THE LAW!** MANY JURISDICTIONS HAVE LAWS THAT MAKE IT A CRIME TO KEEP A FIREARM UNLOCKED AND IN AN AREA ACCESSIBLE TO CHILDREN OR OTHERS. KEEPING A FIREARM LOCKED AND UNLOADED WHEN NOT IN USE IS NOT ONLY COMMON SENSE SAFETY PRACTICE... IT IS THE LAW. YOU MUST BE FAMILIAR WITH ALL LOCAL, STATE, AND FEDERAL LAWS REGARDING THE SAFE STORAGE AND TRANSPORTATION OF YOUR FIREARM. YOUR LOCAL POLICE DEPARTMENT OR FIREARM SHOP CAN FURNISH YOU WITH AVAILABLE INFORMATION ON STORING AND/OR TRANSPORTING A FIREARM SAFELY AND LEGALLY.

## **LOCKING YOUR FIREARM**

- !! WARNING: NEVER LOCK A LOADED FIREARM AND NEVER LOAD A LOCKED FIREARM!**
- ! **TRIGGER LOCK.** A TRIGGER LOCK, WHEN PROPERLY USED, CAN BE AN EFFECTIVE TOOL IN PREVENTING UNAUTHORIZED ACCESS TO YOUR FIREARM. THERE ARE EFFECTIVE TRIGGER LOCKS AND SAFE STORAGE CONTAINERS AVAILABLE IN THE MARKETPLACE, WHICH MAY ALSO BE APPROPRIATE FOR YOUR PARTICULAR NEEDS. CONSULT YOUR LOCAL FIREARM SHOP, HARDWARE STORE, OR LOCAL POLICE DEPARTMENT FOR GUIDANCE ON THE VARIETY OF

OTHER SAFE STORAGE DEVICES OR PRACTICES WHICH MAY BE APPROPRIATE FOR YOUR PARTICULAR NEEDS. NEVER ASSUME THAT THE USE OF A LOCK ALONE IS SUFFICIENT TO SAFELY SECURE YOUR FIREARM. IT IS YOUR PERSONAL RESPONSIBILITY TO SELECT AND USE WHATEVER MEASURES OR PRACTICES THAT WILL ENABLE YOU TO BE ABSOLUTELY CERTAIN THAT YOUR FIREARM IS SECURE AT ALL TIMES.

- ! **NEVER KEEP AMMUNITION IN THE SAME LOCATION AS THE FIREARM.** STORE EACH IN A SEPARATE AND SECURE PLACE.

## **USE CORRECT AMMUNITION**

- !! **WARNING: NEVER USE AMMUNITION NOT SPECIFICALLY DESIGNATED FOR USE IN YOUR FIREARM. FAILURE TO USE THE CORRECT TYPE OR CALIBER OF AMMUNITION MAY CAUSE THE FIREARM TO JAM, FAIL TO FIRE, OR EVEN GENERATE EXCESSIVE PRESSURE WHICH CAN DAMAGE OR EVEN RUPTURE YOUR FIREARM, CAUSING PERSONAL INJURY, DEATH OR PROPERTY DAMAGE.**
- ! **A FIREARM AND AMMUNITION ARE A SYSTEM AND MUST WORK TOGETHER.** THERE ARE DIFFERENT TYPES OF AMMUNITION FOR DIFFERENT TYPES OF FIREARMS. YOUR FIREARM HAS BEEN DESIGNED FOR AMMUNITION OF A SPECIFIC TYPE AND A SPECIFIC GAUGE OR CALIBER. IT IS IMPORTANT TO SELECT THE PROPER AMMUNITION FOR YOUR FIREARM. DIFFERENT COMBINATIONS OF BULLET VELOCITY, BULLET WEIGHT AND FIREARM WEIGHT CAN HAVE MAJOR IMPACT ON FELT RECOIL; HIGH FELT RECOIL COULD BE UNCOMFORTABLE TO SOME SHOOTERS.  
  
LOCATE THE CARTRIDGE DESIGNATION MARKED ON YOUR FIREARM. THIS INFORMATION INDICATES THE CORRECT AMMUNITION THAT MUST BE USED IN THIS FIREARM. YOU ARE RESPONSIBLE FOR SELECTING AMMUNITION THAT MEETS INDUSTRY STANDARDS AND IS APPROPRIATE IN TYPE AND CALIBER FOR THIS FIREARM.
- ! **ALWAYS USE THE CORRECT AMMUNITION FOR YOUR PARTICULAR FIREARM** AS INDICATED BY THE MARKING ON THE FIREARM. NEVER USE NON-STANDARD, RELOADED, OR "HAND LOADED" AMMUNITION THAT HAS NOT BEEN SUBJECTED TO INTERNAL BALLISTIC PRESSURE TESTING.
- ! **NEVER USE A CARTRIDGE NOT SPECIFICALLY DESIGNATED FOR USE IN YOUR FIREARM.** THE WRONG TYPE OF AMMUNITION MAY EXCEED THE CAPABILITY OF YOUR FIREARM AND MAY DAMAGE OR EVEN RUPTURE YOUR FIREARM.
- ! **NEVER MIX AMMUNITION.** IN SOME CASES, A ROUND OF AMMUNITION NOT SPECIFIED ON YOUR FIREARM MAY FIT INTO THE CHAMBER. FIRING AMMUNITION NOT SPECIFIED ON YOUR FIREARM MAY CAUSE IT TO RUPTURE AND CAUSE SERIOUS INJURY OR DEATH TO YOU OR OTHERS.

## USE HIGH QUALITY AMMUNITION

! **USE ONLY HIGH QUALITY AMERICAN AMMUNITION.** YOUR J R CARBINE IS A PRECISION FIREARM DESIGNED TO SHOOT A WIDE RANGE OF **HIGH-QUALITY U.S.-MANUFACTURED** AMMUNITION. IT WILL ALSO SHOOT A WIDE RANGE OF FOREIGN MANUFACTURED AMMUNITION, BUT SUCH AMMUNITION CAN VARY WIDELY IN QUALITY AND CONSISTENCY. YOU CAN EXPECT THAT YOUR SHOOTING EXPERIENCES MAY LIKEWISE VARY WHEN USING SUCH AMMUNITION. EVEN AMERICAN AMMUNITION WILL VARY IN THE TOLERANCES TO WHICH IT IS MANUFACTURED, AND **SOME BRANDS AND/OR TYPES OF AMMUNITION WILL WORK BETTER IN YOUR CARBINE THAN OTHERS.** EXPERIMENT WITH DIFFERENT BRANDS OF AMMUNITION AVAILABLE TO YOU TO FIND THOSE THAT PERFORM BEST IN YOUR CARBINE. USING RELOADED OR COMMERCIALY REMANUFACTURED AMMUNITION WILL VOID THE WARRANTY OF THIS FIREARM.

!! **WARNING: NEVER USE NON-STANDARD, RELOADED OR HANDLOADED AMMUNITION THAT HAS NOT BEEN SUBJECTED TO INTERNAL BALLISTIC PRESSURE TESTING.** RELOADED OR HANDLOADED AMMUNITION MAY HAVE MANY MANUFACTURING AND QUALITY VARIABLES (SUCH AS THE TYPE AND AMOUNT OF GUN POWDER). ANY AMMUNITION THAT IS IMPROPERLY MANUFACTURED, EVEN IN THE SLIGHTEST DEGREE, MAY FAIL TO FIRE OR MAY GENERATE EXCESSIVE INTERNAL PRESSURES WHICH CAN DAMAGE OR EVEN RUPTURE THE FIREARM, CAUSING PERSONAL INJURY OR DEATH TO THE SHOOTER OR THOSE IN THE IMMEDIATE VICINITY.

! **ALWAYS INSPECT YOUR AMMUNITION BEFORE USING IT.** NEVER USE DIRTY, CORRODED OR DAMAGED AMMUNITION WHICH CAN LEAD TO A BURST CARTRIDGE WHICH MAY CAUSE DAMAGE TO THE FIREARM AND PERSONAL INJURY OR DEATH.

! **CORROSIVE PRIMER CAUTION:** USE OF AMMUNITION MANUFACTURED WITH CORROSIVE PRIMERS IN THIS FIREARM WILL CAUSE OXIDATION TO DEVELOP ON ANY EXPOSED METAL PARTS OF THE FIREARM. TO PREVENT SUCH OXIDATION, EACH TIME AMMUNITION WITH CORROSIVE PRIMERS IS USED; THE RESIDUE FROM THE CORROSIVE PRIMERS MUST BE COMPLETELY REMOVED FROM ALL EXPOSED METAL PARTS. CONVENTIONAL OIL OR SOLVENT-BASED FIREARM CLEANERS **WILL NOT** DISSOLVE THE RESIDUE FROM CORROSIVE PRIMERS. RESIDUE FROM CORROSIVE PRIMERS **MUST** BE COMPLETELY DISSOLVED WITH A WATER-BASED CLEANER. AFTER THE CORROSIVE RESIDUE HAS BEEN COMPLETELY DISSOLVED FROM ALL EXPOSED METAL PARTS, REMOVE ANY EXCESS WATER-BASED CLEANER FROM THE FIREARM.

CHECK WITH THE AMMUNITION MANUFACTURER OR A QUALIFIED GUNSMITH IF YOU ARE UNSURE WHETHER THE PARTICULAR AMMUNITION YOU PLAN TO USE IN THIS FIREARM HAS BEEN MANUFACTURED WITH CORROSIVE PRIMERS. IF IN DOUBT, FOLLOW ALL THE INSTRUCTIONS ABOVE TO PREVENT OXIDATION CAUSED BY AMMUNITION MANUFACTURED WITH CORROSIVE PRIMERS. SAAMI MEMBER AMMUNITION MANUFACTURERS DO NOT USE CORROSIVE PRIMERS.



# **ALUMINUM/STEEL AMMUNITION WARNING: Do Not Use Aluminum or Steel-Cased Ammunition in Your JR Carbine**

ALUMINUM AMMUNITION CASES MAY CRACK, SPLIT, OR COME APART WHEN FIRED IN A DIRECT-BLOWBACK FIREARM LIKE THE JR CARBINE. STEEL AMMUNITION CASES MAY DAMAGE YOUR FIREARM OR CAUSE EXCESSIVE WEAR. IF YOU SHOOT ALUMINUM OR STEEL-CASED AMMUNITION IN YOUR JR CARBINE YOUR FIREARM MAY FUNCTION IMPROPERLY AND MAY CAUSE SERIOUS INJURY OR DEATH AND DAMAGE TO PROPERTY AS A RESULT.

IN ADDITION TO RECOMMENDING THE USE OF ONLY HIGH QUALITY AMERICAN-MADE, FIRST-RUN AMMUNITION (NOT RELOADS), JUST RIGHT CARBINES RECOMMENDS USING ONLY AMMUNITION WITH BRASS CASES.

**Do Not** USE ALUMINUM OR STEEL-CASED AMMUNITION IN YOUR JR CARBINE. USING ALUMINUM OR STEEL-CASED AMMUNITION **VOIDS THE MANUFACTURER'S WARRANTY.**

## **SHOOTING**

- ! **ALWAYS BE SURE OF YOUR TARGET AND WHAT IS BEYOND IT.** ALWAYS BE SURE OF WHERE THE BULLET WILL STRIKE AND SHOOT ONLY WHERE THERE IS A SAFE BACKSTOP BEHIND YOUR TARGET THAT WILL STOP YOUR BULLET. BE SURE THAT YOUR BACKSTOP IS FREE OF OBSTRUCTIONS, WATER OR OTHER SURFACES THAT CAN CAUSE RICOCHETS. REMEMBER: BULLETS CAN GLANCE OFF MANY SURFACES LIKE ROCKS OR THE SURFACE OF WATER AND TRAVEL IN UNPREDICTABLE DIRECTIONS WITH CONSIDERABLE VELOCITY. DO NOT FIRE RANDOMLY INTO THE SKY.
- ! **ALWAYS KEEP YOUR FIREARM POINTED IN A SAFE DIRECTION.** NEVER POINT A FIREARM AT ANYTHING YOU DO NOT INTEND TO SHOOT WHETHER OR NOT IT IS LOADED. THIS IS PARTICULARLY IMPORTANT WHEN LOADING, UNLOADING, OR FIELD STRIPPING A FIREARM. ALWAYS CONTROL THE DIRECTION OF YOUR FIREARM.
- ! **NEVER PLACE YOUR FINGER INSIDE THE TRIGGER GUARD OR ON THE TRIGGER UNLESS YOU INTEND TO FIRE.** ENSURE THAT NO OTHER OBJECTS TOUCH THE TRIGGER.
- ! **BEWARE OF BARREL OBSTRUCTIONS.** BE SURE THE BARREL IS CLEAR OF OBSTRUCTIONS BEFORE SHOOTING. MUD, WATER, SNOW OR OTHER OBJECTS MAY INADVERTENTLY LODGE IN THE BARREL BORE. A SMALL OBSTRUCTION CAN CAUSE A DANGEROUS INCREASE IN PRESSURE AND MAY DAMAGE YOUR FIREARM AND CAUSE INJURY TO YOURSELF AND OTHERS.
- ! **ALWAYS WEAR EYE AND EAR PROTECTORS THAT ARE SPECIFIED FOR USE WITH FIREARMS.** EVERY TIME YOU DISCHARGE YOUR FIREARM. MAKE SURE OTHERS IN THE VICINITY OF WHERE YOU WILL BE SHOOTING DO SO AS WELL.

## AMMUNITION FAILURES

**IF YOUR FIREARM FAILS TO FIRE** WHEN THE HAMMER FALLS (MISFIRES), KEEP THE FIREARM POINTED IN A SAFE DIRECTION, REMOVE YOUR FINGER FROM THE TRIGGER, AND WAIT 20 - 25 SECONDS. IF YOUR FIREARM STILL HAS NOT FIRED, REMOVE THE MAGAZINE AND REMOVE (EJECT) THE CARTRIDGE FROM THE CHAMBER AND DISPOSE OF PROPERLY.

**IF YOU HEAR AN UNUSUAL SOUND OR FEEL AN UNUSUAL RECOIL** ON FIRING, STOP FIRING, WAIT 20 - 25 SECONDS, REMOVE THE MAGAZINE, EXTRACT ANY CARTRIDGE FROM THE CHAMBER, LOCK THE BOLT TO THE REAR, PUT THE SAFETY SELECTOR ON SAFE, EXAMINE THE CHAMBER TO ENSURE IT IS EMPTY, AND EXAMINE THE BORE FOR OBSTRUCTIONS.

**IF YOU SEE AN OBSTRUCTION**, RETURN YOUR FIREARM TO THE MANUFACTURER OR TAKE IT TO A QUALIFIED GUNSMITH. NEVER FIRE A FIREARM WITH AN OBSTRUCTED BARREL.

**IF YOU ARE UNSURE OR HAVE ANY CONCERNS**, CONTACT YOUR RETAILER OR JUST RIGHT CARBINES FOR ADVICE.

## MAINTENANCE

**!** **NEVER DISASSEMBLE YOUR FIREARM** BEYOND THE FIELD STRIPPING PROCEDURE OUTLINED IN THIS MANUAL. IMPROPER DISASSEMBLY OR REASSEMBLY OF YOUR FIREARM MAY BE DANGEROUS AND CAN LEAD TO SERIOUS INJURY OR DEATH.

**!!** **WARNING: BEFORE YOU BEGIN DISASSEMBLY OF YOUR CARBINE**, YOU MUST FIRST INSPECT IT TO MAKE SURE THERE IS NOT A MAGAZINE IN THE MAGAZINE WELL, THE CHAMBER IS EMPTY, AND THE SAFETY SELECTOR IS ON SAFE.

**!** **NEVER PERFORM OR ALLOW ANY ALTERATION OR REPLACEMENT OF PARTS IN YOUR FIREARM UNLESS PERFORMED BY A QUALIFIED GUNSMITH USING GENUINE J R CARBINE PARTS.** IF YOU DO OTHERWISE, YOUR FIREARM MAY FUNCTION IMPROPERLY AND MAY CAUSE SERIOUS INJURY OR DEATH AND DAMAGE TO PROPERTY AS A RESULT.

**!** **NEVER MANIPULATE, ADJUST OR CHANGE ANY OF THE INTERNAL COMPONENTS OF YOUR FIREARM UNLESS SPECIFICALLY INSTRUCTED TO DO SO IN THIS MANUAL.** IMPROPER MANIPULATION OF ANY COMPONENTS OF THIS FIREARM BEYOND THE INSTRUCTIONS IN THIS MANUAL MAY AFFECT THE SAFETY AND RELIABILITY OF YOUR FIREARM AND MAY CAUSE SERIOUS INJURY OR DEATH.

**!** **BE SURE ALL ACCESSORIES, SUCH AS HOLSTERS, GRIPS, SLINGS, SCOPES AND OTHER ACCESSORIES ARE COMPATIBLE** WITH YOUR FIREARM AND THAT THE ACCESSORIES DO NOT INTERFERE WITH SAFE OPERATION. YOU MUST UNDERSTAND AND FOLLOW ALL OF THE INSTRUCTIONS IN THIS MANUAL, AS WELL AS THOSE THAT MAY BE SUPPLIED WITH YOUR AMMUNITION AND ANY ACCESSORY.

## **FEATURES OF THE J R CARBINE**

WEIGHT: 6 – 6.5 LBS DEPENDING ON CALIBER AND BARREL  
LENGTH: 30.125 – 33.5 INCHES WITH A STANDARD 17.000 INCH BARREL  
CALIBER: MULTI-CALIBER, INTERCHANGEABLE, 9MM LUGER, .40 S&W, .45 ACP  
OPERATION: SEMIAUTOMATIC BLOWBACK  
LUBRICATION: **VERY LITTLE REQUIRED. WE RECOMMEND SLIP 2000 EWL.**  
FEEDING: MAGAZINE FED  
FINISH: HARD COAT ANODIZED ON ALUMINUM SURFACES, BLACK OXIDE ON STEEL  
  
PATENTS: U.S. 8,448,363 B2; OTHER PATENTS PENDING

# COMPONENTS



**Buttstock**



**Castle Nut    Receiver Plate**



**Bumper**



**Disc**



**Buffer Spring**



**Buffer**



**Receiver**

**\*\*\* Ejector Plate**



**Barrel Nut**



**Locking Ring**



**Forend**



**Barrel**



**Bolt Extension**



**Bolt**

**Firing Pin Retainer**

**Firing Pin**

**Firing Pin Spring**

**Bolt \*\*\* Handle**

**Bolt Handle \*\*\* Screw**

**Lock Washer\*\*\***

**Extractor, Spring & Pin**

**Take-down Screw**

**Take-down Screw**

**Take-down Screw**



**Firing Assembly**



**Magazine Well**

**Feed Ramp \*\*\***

**\*\*\*Not Shown Separately**

## DESCRIPTION

THE J R CARBINE IS A SHOULDER-FIRED, MAGAZINE-FED, CENTERFIRE PISTOL CARTRIDGE, BLOW-BACK OPERATED LONG GUN. IT IS INTENDED TO BE FIRED FROM A TWO HANDED POSITION WITH THE CARBINE BRACED AGAINST THE SHOULDER WITH THE BUTTSTOCK, SUPPORTED BY THE NONTRIGGER HAND UNDER THE FOREND, AND HELD BY THE PISTOL GRIP WITH THE TRIGGER HAND. (SEE FIG 1.)

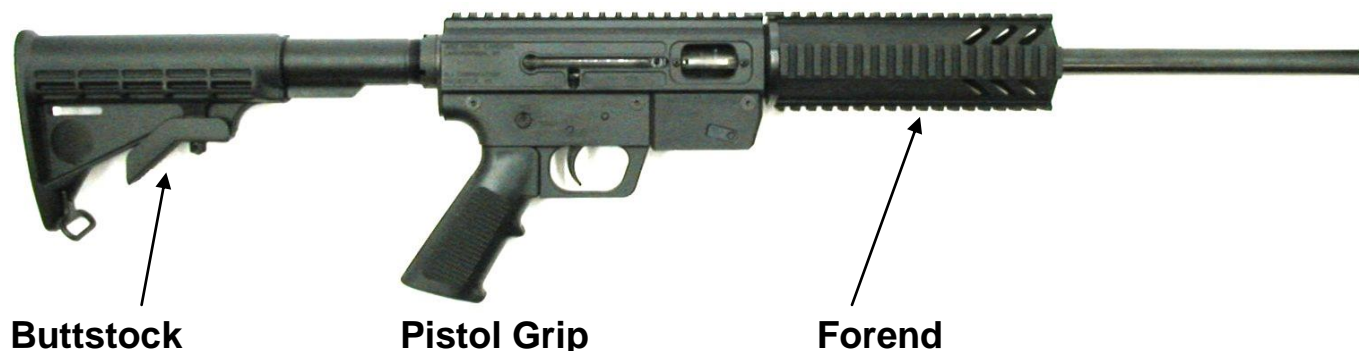


Fig 1.

## SUB-ASSEMBLIES

THE J R CARBINE IS MADE UP OF THE RECEIVER ASSEMBLY, THE FIRING ASSEMBLY, THE MAGAZINE WELL, THE BUTTSTOCK ASSEMBLY, THE FOREND, AND THE BARREL ASSEMBLY. (SEE FIG 2.)

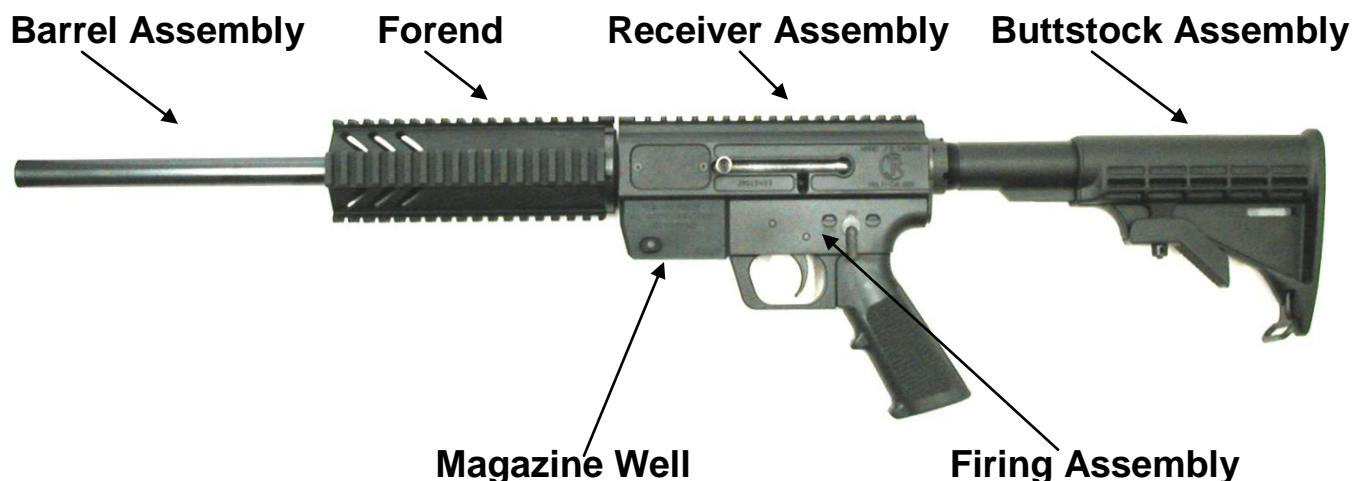


Fig 2.

**!! WARNING:** PRIOR TO HANDLING YOUR J R CARBINE ENSURE THAT THE SAFETY SELECTOR IS PLACED ON THE "SAFE" POSITION ON THE FIRING ASSEMBLY. THE J R CARBINE CAN BE MANUALLY CYCLED BY THE USE OF THE BOLT HANDLE. (SEE FIG 2.) THE BOLT MAY BE LOCKED TO THE REAR BY DRAWING THE HANDLE REARWARD AND ROTATING IT DOWN-WARD INTO THE BOLT CATCH. (SEE FIG 3 – NEXT PAGE.) THE J R CARBINE CAN ONLY

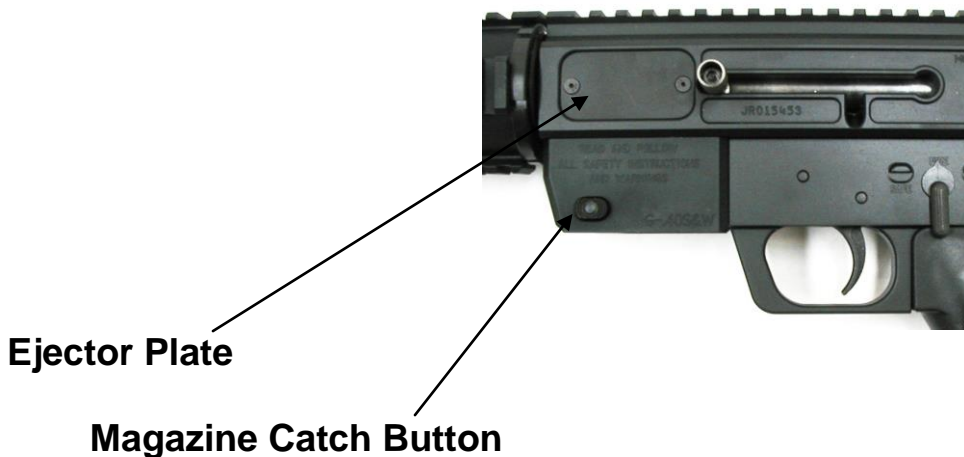
BE PLACED ON "SAFE" WHEN THE HAMMER IS COCKED OR THE BOLT IS LOCKED TO THE REAR.



**Fig 3**

## **UNLOADING**

UNLOADING IS ACCOMPLISHED BY SWITCHING THE SAFETY LEVER FROM FIRE TO SAFE, PULLING THE BOLT HANDLE REARWARD AND LOCKING IT INTO THE BOLT CATCH. PRESSING THE MAGAZINE CATCH BUTTON (SEE FIG 4.) WILL ALLOW THE MAGAZINE TO BE REMOVED. BE CAREFUL TO ENSURE THAT THE CHAMBER IS EMPTY.



**Fig 4.**

WITH THE BOLT LOCKED TO THE REAR LOOK THROUGH THE OPEN EJECTION PORT TO EXAMINE THE CHAMBER OF THE BARREL TO BE SURE NO CARTRIDGES ARE VISIBLE AND ENSURE THAT IT IS NOT LOADED.

## LOADING

**!! WARNING: NEVER ATTEMPT TO LOAD THIS FIREARM WITHOUT FIRST CHECKING THE CHAMBER.**

**!! WARNING: ALWAYS LOAD A ROUND INTO THE CHAMBER BY FEEDING IT FROM THE MAGAZINE. NEVER ATTEMPT TO LOAD THE FIREARM BY INSERTING A ROUND INTO THE OPEN EJECTION PORT. FAILURE TO FOLLOW THIS WARNING CAN RESULT IN SEVERE INJURY OR DEATH TO YOUR OR OTHERS.**

YOU MAY LOAD THE J R CARBINE EITHER WITH THE BOLT FORWARD AND CLOSED, OR WITH IT LOCKED TO THE REAR AND OPEN.

**LOADING WITH THE BOLT LOCKED OPEN (PREFERRED).** IN THE EVENT THAT YOU CHOSE TO LOAD YOUR CARBINE WITH THE BOLT LOCKED TO THE REAR, **FIRST** ENSURE THAT THE SAFETY IS SWITCHED TO THE **SAFE** POSITION. THEN INSERT A LOADED MAGAZINE UP INTO THE MAGAZINE WELL AND CHECK TO SEE THAT IT IS SECURELY HELD IN PLACE BY THE MAGAZINE CATCH BY PULLING DOWN ON THE MAGAZINE AS DESCRIBED ABOVE. THE CARBINE MAY NOW BE PLACED INTO BATTERY AND FIRED BY CLOSING THE BOLT AND SWITCHING THE SAFETY FROM **SAFE** TO **FIRE**.

**! IMPORTANT!** DO NOT SLAP THE MAGAZINE INTO THE MAGAZINE WELL. THERE IS NO INTERNAL STOP TO PREVENT MAGAZINE OVER-INSERTION. SLAPPING THE MAGAZINE INTO PLACE CAN **DAMAGE THE MAGAZINE AND PREVENT PROPER OPERATION.**

**LOADING WITH THE BOLT CLOSED.** WHEN LOADING WITH THE BOLD CLOSED, INSERT A LOADED MAGAZINE UP INTO THE MAGAZINE WELL UNTIL IT CLICKS. CHECK TO SEE THAT IT IS SECURELY HELD IN PLACE BY THE MAGAZINE CATCH BY PULLING DOWN ON THE MAGAZINE; IT SHOULD STAY TIGHTLY IN PLACE. PULL THE BOLT HANDLE COMPLETELY TO THE REAR AND THEN ALLOW THE BOLT TO TRAVEL FORWARD AND CHAMBER A CARTRIDGE. PLACE THE SAFETY SELECTOR SWITCH IN THE **SAFE** POSITION UNTIL YOU ARE READY TO SHOOT.

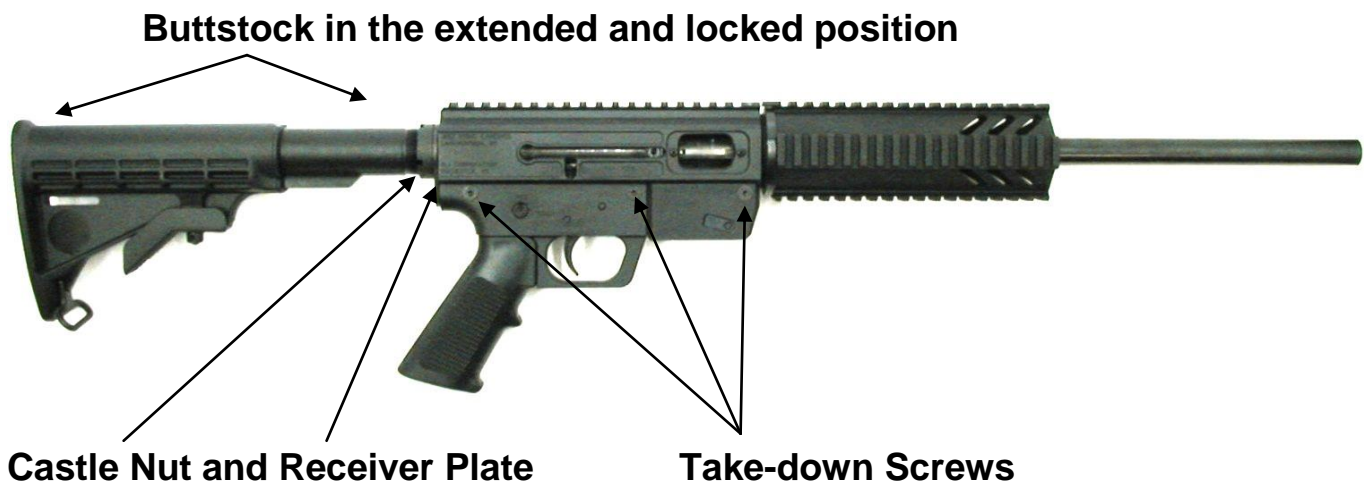
**NOTE:** DUE TO VARIATIONS IN MAGAZINE MANUFACTURE YOU MAY FIND IT DIFFICULT TO INSERT SOME FULLY LOADED MAGAZINES WITH THE BOLT **CLOSED**. THIS IS A PARTICULAR ISSUE WITH NEW MAGAZINES THAT THAT HAVE NOT YET BEEN “BROKEN IN”. IF THIS OCCURS, LOAD YOUR J R CARBINE FROM THE OPEN-BOLT POSITION.

## MAGAZINE WELL & FIRING GROUP DISASSEMBLY

REMOVE THE MAGAZINE WELL BY UNSCREWING THE THREE TAKE-DOWN SCREWS FROM THE RIGHT SIDE AS SHOWN IN FIG 5 (NEXT PAGE) AND THEN DETACHING THE MAGAZINE WELL AND FIRING ASSEMBLY TOGETHER FROM THE RECEIVER. YOU MAY NOW PULL THE MAGAZINE WELL FORWARD OFF OF THE FIRING ASSEMBLY AND EXCHANGE IT IF DESIRED.

## BUTTSTOCK DISASSEMBLY

ONLY AFTER YOU HAVE PLACED THE SAFETY SELECTOR ON SAFE, REMOVED THE MAGAZINE FROM THE MAGAZINE WELL, CHECKED TO ENSURE THAT THE CHAMBER IS EMPTY, AND PLACED THE BOLT IN THE FORWARD POSITION ON AN EMPTY CHAMBER, YOU MAY REMOVE THE BUTTSTOCK ASSEMBLY. ENSURE THAT THE RECEIVER IS HELD SECURELY AND THE BUTTSTOCK IS IN THE EXTENDED AND LOCKED POSITION (SEE FIG 5.). USE A CASTLE NUT WRENCH TO LOOSEN THE CASTLE NUT (TURNING IT COUNTER CLOCK-WISE WHEN VIEWED FROM THE REAR), TURNING IT UNTIL IT REACHES THE REAR PORTION OF THE THREADS ON THE TUBE. AFTER THE CASTLE NUT IS LOOSE FROM THE RECEIVER PLATE, CAREFULLY PULL THE RECEIVER PLATE BACKWARD OFF OF THE RECEIVER, COMPLETELY DISENGAGING IT FROM THE RECEIVER. (SEE FIG 5.)



**Fig 5.**

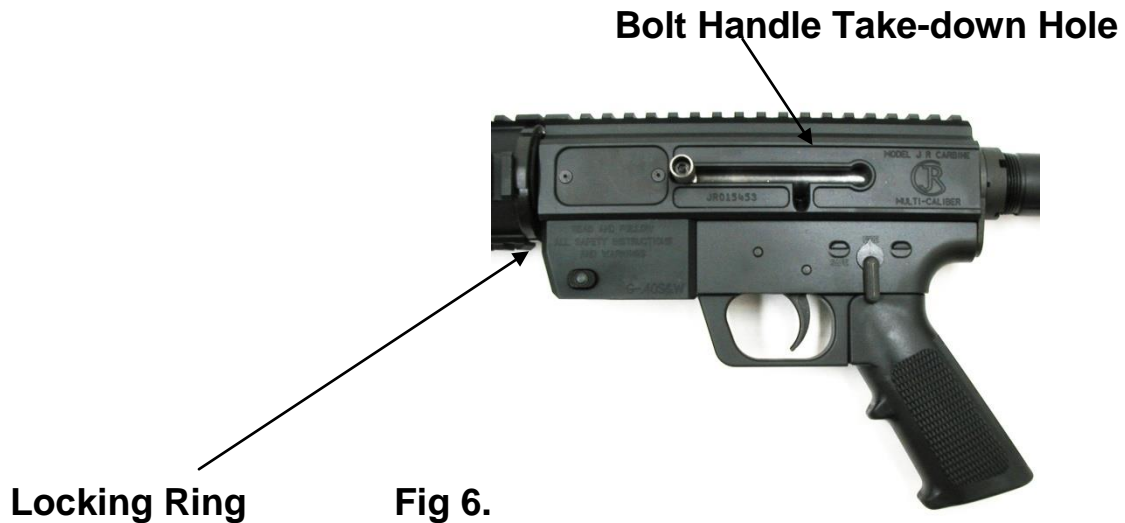
ONCE YOU HAVE ACCOMPLISHED THESE STEPS, YOU MAY THEN UNSCREW THE BUTTSTOCK ASSEMBLY FROM THE RECEIVER (TURNING IT COUNTERCLOCKWISE WHEN VIEWED FROM THE REAR).

**!! WARNING: THE BUFFER SPRING AND BUFFER ARE UNDER COMPRESSION AND MAY COME OUT WITH FORCE. USE CAUTION WHEN UNSCREWING THE BUTT STOCK ASSEMBLY TO REMOVE IT FROM THE RECEIVER.**

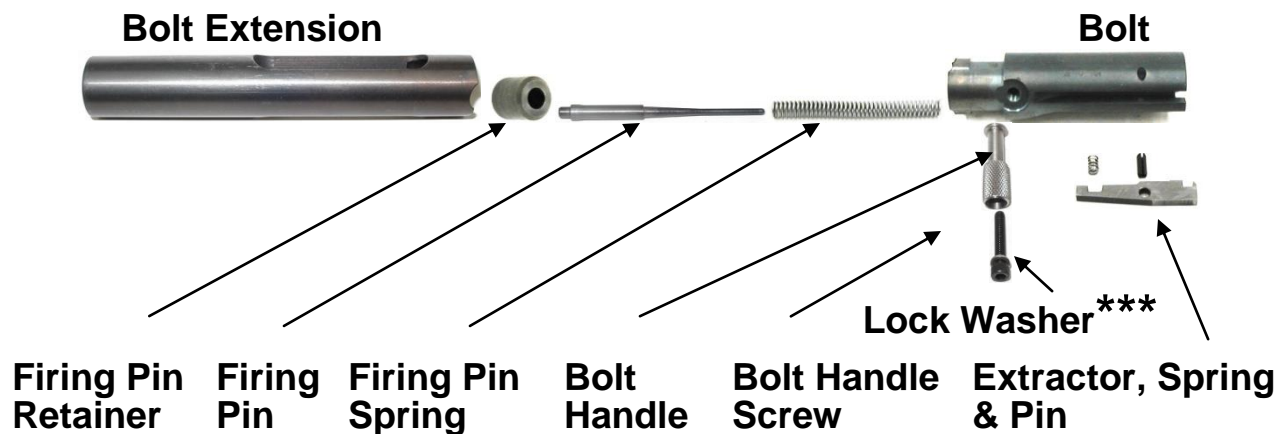


# BOLT DISASSEMBLY

ONCE YOU HAVE REMOVED THE BUTTSTOCK, PULL THE BOLT HANDLE REARWARD TO THE BOLT HANDLE TAKE-DOWN HOLE. (SEE FIG 6.) LOOSEN THE BOLT HANDLE SCREW WITH A HEX WRENCH; PULL THE SCREW AND BOLT HANDLE STRAIGHT OUT OF THE BOLT AND RECEIVER AS A UNIT. WITH THE BOLT HANDLE REMOVED, THE BOLT MAY BE TAKEN OUT BY PULLING IT REARWARD AND OUT OF THE RECEIVER.



DISASSEMBLE THE BOLT BY TWISTING THE BOLT EXTENSION NINETY DEGREES IN RELATION TO THE BOLT TO UNLOCK IT FROM THE BOLT, THEN PULL THE TWO APART. PULL THE FIRING PIN RETAINER OUT OF THE BOLT, FOLLOWED BY THE FIRING PIN AND FIRING PIN SPRING. (SEE FIG 7.)



**Fig 7.**

**\*\*\* Not Shown Separately**

## FOREND REMOVAL

THE FOREND ON THE J R CARBINE IS MOUNTED ON THE BARREL NUT AND LOCKED IN PLACE WITH THE LOCKING RING. (SEE FIG 6.)

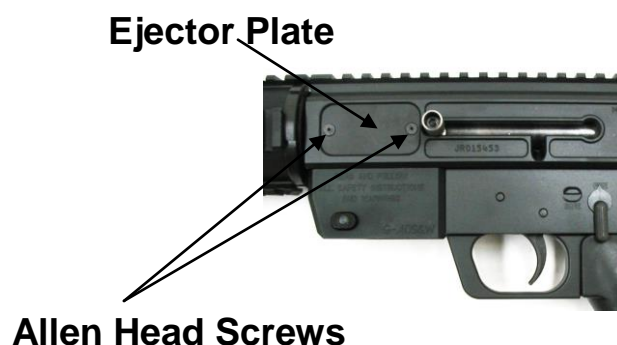
WITH THE RECEIVER HELD SECURELY IN PLACE, TAP THE LOCKING RING LOOSE (TURNING IT COUNTERCLOCKWISE WHEN VIEWED FROM THE REAR) USING A LOCKING-RING WRENCH OR SOFT, NON-MARRING PUNCH. WITH THE LOCKING RING LOOSE, REMOVE THE FOREND (TURNING IT CLOCKWISE WHEN VIEWED FROM THE REAR). YOU MAY NEED TO USE A SOFT Mallet TO BREAK IT LOOSE IF IT IS MORE THAN HAND TIGHT.

## BARREL REMOVAL

WITH THE FOREND REMOVED, YOU MAY NOW REMOVE THE BARREL NUT BY USING A BARREL NUT WRENCH. SECURELY PLACE THE WRENCH ON THE NUT, CAREFULLY APPLY FORCE (TURNING IT COUNTERCLOCKWISE WHEN VIEWED FROM THE FRONT) AND REMOVE THE BARREL NUT. AFTER THE BARREL NUT HAS BEEN REMOVED, YOU MAY REMOVE THE BARREL FROM THE RECEIVER BY PULLING IT FORWARD OUT OF THE RECEIVER.

## RECEIVER AND EJECTOR DISASSEMBLY

THE EJECTOR IS UNIQUE IN THAT IT IS A FIXED MACHINED COMPONENT OF THE EJECTOR PLATE (PATENT No. 61302172). YOU MAY REMOVE THE EJECTOR PLATE BY REMOVING THE ALLEN (HEX) HEAD SCREWS ON EITHER SIDE OF THE PORT, AND WITH A SMALL TAP FROM THE INSIDE AS NEEDED ONCE THE SCREWS ARE REMOVED. THE EJECTOR PLATE MAY BE INSTALLED ON THE OPPOSITE SIDE OF THE RECEIVER FOR OPPOSITE SIDE EJECTION AS LONG AS YOU ALSO RECONFIGURE THE BOLT ACCORDINGLY. (SEE SECTION ENTITLED “CHANGING DIRECTION OF EJECTION”, BELOW)



## CHANGING DIRECTION OF EJECTION

A UNIQUE FEATURE OF THE J R CARBINE IS THAT IT IS TRULY AMBIDEXTROUS AND CAN BE SET UP FOR EITHER RIGHT-SIDE OR LEFT-SIDE EJECTION AS THE SHOOTER DESIRES. TO CHANGE EJECTION DIRECTION ALL YOU HAVE TO DO IS SWITCH THE EJECTOR FROM ONE SIDE OF THE BOLT TO THE OTHER.

WITH THE BOLT ASSEMBLY REMOVED FROM THE RECEIVER, DRIVE THE 3/32X1/4-INCH EXTRACTOR PIN OUT OF THE BOLT USING A 1/16-INCH OR 3/32-INCH PUNCH. KEEP THE PIN AND SET IT ASIDE.

NEXT, CAREFULLY SLIDE THE EXTRACTOR – ALONG WITH ITS SPRING – OUT OF ITS SLOT IN THE SIDE OF THE BOLT. TAKE CARE NOT TO LOSE THE EXTRACTOR SPRING WHEN YOU REMOVE THE EXTRACTOR.

TURN THE BOLT ON ITS SIDE SO THAT THE OPPOSITE SLOT IS FACING UPWARD. CAREFULLY PLACE THE EXTRACTOR SPRING IN THE SLOT IN THE PROPER LOCATION (SO THAT IT LINES UP WITH THE INDENTED AREA OF THE EXTRACTOR WHEN THE EXTRACTOR IS INSTALLED).

PLACE THE EXTRACTOR INTO THE SLOT SO THAT THE HOLE IN THE EXTRACTOR LINES UP WITH THE EXTRACTOR PIN HOLES IN THE BOLT **AND** THE EXTRACTOR SPRING INDENT PROPERLY FITS OVER THE EXTRACTOR SPRING. PUSH DOWN ON THE EXTRACTOR GENTLY TO ENSURE YOU HAVE SPRING TENSION ON THE EXTRACTOR SPRING. **[NOTE: LIGHT FILING OF THE EXTRACTOR MAY BE REQUIRED TO BREAK/BEVEL THE EDGE OF THE NOW-DOWNWARD FACING SIDE OF THE EXTRACTOR FACE TO MATCH THE UPWARD FACING SIDE.]**

WITH THE EXTRACTOR PROPERLY POSITIONED AND THE HOLES IN THE EXTRACTOR AND BOLT PROPERLY ALIGNED, INSERT A PUNCH OR ALLEN WRENCH THROUGH THE HOLES TO MAINTAIN ALIGNMENT WHILE YOU PREPARE TO INSERT THE EXTRACTOR PIN.

GENTLY TAP THE EXTRACTOR PIN INTO THE BOLT FROM THE UNDERSIDE USING A SMALL PUNCH AND SMALL HAMMER. THE PIN IS PROPERLY INSTALLED WHEN IT IS CENTERED ON THE EXTRACTOR.

TEST THE INSTALLATION BY PRESSING INWARD ON THE BACK OF THE EXTRACTOR. IT SHOULD RESIST WITH SPRING PRESSURE AND SHOULD RETURN TO ITS ORIGINAL POSITION WHEN RELEASED.

## RECEIVER AND EJECTOR REASSEMBLY

INSTALL THE EJECTOR PLATE ON THE SIDE OF THE RECEIVER OPPOSITE THAT ON WHICH THE EXTRACTOR IS INSTALLED IN THE BOLT. INSERT THE EJECTOR PLATE INTO THE FITTED OPENING. INSTALL THE TWO ALLEN HEAD SCREWS.

**!! CAUTION.** BE CAREFUL NOT TO OVER TIGHTEN THE ALLEN HEAD SCREWS.

**! SUGGESTION.** IT MAY BE HELPFUL TO SECURE THE ALLEN HEAD SCREWS WITH LIGHT-DUTY THREAD LOCK.

## **ASSEMBLING THE BARREL AND FOREND**

WITH THE RECEIVER ASSEMBLY HELD SECURELY, INSTALL THE BARREL ASSEMBLY BY INSERTING THE BARREL INTO THE FRONT OF THE RECEIVER IN ALIGNMENT WITH THE PIN IN THE RECEIVER. SCREW THE BARREL NUT INTO PLACE CLOCKWISE AND TIGHTEN SECURELY. SCREW THE FOREND LOCK RING DOWN OVER THE BARREL NUT SO THAT ITS BACK FACE IS FLUSH WITH THE BACK FACE OF THE BARREL NUT. THE FOREND IS THEN SCREWED DOWN AS FAR AS POSSIBLE ENDING WITH THE TOP PICATINNY RAIL IN ALIGNMENT WITH THE RECEIVER RAIL. FINAL ALIGNMENT CAN BE ACHIEVED BY VISUAL ALIGNMENT OR THROUGH CLAMPING OF THE TWO RAILS TOGETHER AND TIGHTENING OF THE LOCKING RING. USE A SPANNER WRENCH OR SOFT DRIFT PUNCH WHEN TIGHTENING THE LOCKING RING IN A CLOCKWISE DIRECTION (FACING FROM THE REAR).

## **ASSEMBLING THE BOLT**

ASSEMBLE THE BOLT BY INSERTING THE FIRING PIN SPRING, FOLLOWED BY THE FIRING PIN AND ITS RETAINER INTO THE BOLT. (**NOTE: ONE END OF YOUR FIRING PIN SPRING MAY BE SMALLER IN DIAMETER THAN THE OTHER. IF SO, INSERT THE FIRING PIN INTO THE SMALL END OF THE SPRING WHEN RE-ASSEMBLING THE BOLT. TWIST IT AGAINST THE FIRING PIN UNTIL THE SMALL END OF THE SPRING SEATS AGAINST THE SHOULDER OF THE PIN AT THE END OF THE TAPER.**) ATTACH THE BOLT EXTENSION TO THE REAR OF THE BOLT BY ALIGNING THE SLOT IN THE EXTENSION WITH THE BOLT HANDLE HOLE ON THE SIDE OF THE BOLT AND PUSHING THE TWO TOGETHER. THEN TWIST THE BOLT EXTENSION NINETY DEGREES TO LOCK IT TO THE BOLT. (SEE FIG 7). UNDER NO CIRCUMSTANCES SHOULD THE FIRING PIN BE EXPOSED FROM THE FRONT OF THE BOLT AFTER RE-ASSEMBLY. IF THE FIRING PIN IS STICKING OUT, YOU'VE ASSEMBLED THE RETAINER BACKWARDS. YOU MUST FIX THIS SITUATION BEFORE TRYING TO LOAD AMMO INTO THE GUN, YOU WILL EXPERIENCE A SLAM FIRE IF YOU TRY TO CLOSE THE BOLT WITH A BULLET IN THE CHAMBER.

BEFORE INSERTING THE BOLT INTO THE RECEIVER, SPRAY A COATING OF SLIP 2000 GUN LUBRICANT ON THE EXTERIOR OF THE BOLT AND ALLOW IT TO DRY COMPLETELY. INSERT THE BOLT INTO THE RECEIVER ASSEMBLY FROM THE BACK. ROTATING THE BOLT ASSEMBLY SLIGHTLY AIDS IN BRINGING IT FORWARD ALONGSIDE THE HAMMER (IF THE FIRING ASSEMBLY IS INSTALLED ON THE RECEIVER). USING ANY HANDY ITEM SUCH AS A PUNCH TO DEPRESS THE HAMMER (IF NECESSARY), AND SLIDE THE BOLT FORWARD OVER THE HAMMER. YOU MAY NEED TO ROTATE IT SLIGHTLY UNTIL THE BOLT HANDLE HOLE IN THE BOLT LINES UP WITH THE TAKE-DOWN HOLE IN THE RECEIVER. WHEN THEY ARE ALIGNED, INSERT THE BOLT HANDLE INTO THE SIDE OF THE BOLT, AND TIGHTEN THE BOLT HANDLE SCREW WITH AN ALLEN WRENCH.

## **ASSEMBLING THE BUTTSTOCK**

FIRST ENSURE THAT THE NYLON DISC IS IN THE TUBE, FOLLOWED BY THE SPRING CAPPED BY THE BUFFER. **SEE PAGE 23.** (NOTE: THE RUBBER BUMPER REMAINS IN THE BACK OF THE BUFFER TUBE UNLESS MANUALLY REMOVED.) PLACE THE FACE OF THE BUFFER AGAINST THE BACK OF THE BOLT EXTENSION AND COMPRESS THE SPRING INTO THE TUBE BY PUSHING THE BUTTSTOCK FORWARD AGAINST THE RECEIVER; BEGIN SCREWING THE BUTTSTOCK ONTO THE RECEIVER. CONTINUE SCREWING THE BUTTSTOCK ONTO THE RECEIVER UNTIL IT CANNOT BE TIGHTENED ANY FURTHER. BACK THE BUTTSTOCK OFF OF THE RECEIVER BY UNSCREWING UNTIL YOU HAVE ALIGNMENT ESTABLISHED BETWEEN THE RECEIVER PLATE AND THE RECEIVER. MOVE THE RECEIVER PLATE FORWARD AGAINST THE RECEIVER ENSURING THAT THE RECEIVER PLATE AND RECEIVER MATE TOGETHER AND TIGHTEN UP THE CASTLE NUT AGAINST THE RECEIVER PLATE. SNUG THE CASTLE NUT IN PLACE WITH THE USE OF A CASTLE NUT WRENCH.

## **ASSEMBLING THE MAGAZINE WELL AND FIRING ASSEMBLY**

THE MAGAZINE WELL IS INSTALLED ONTO THE STUD OF THE FORWARD FACE OF THE FIRING ASSEMBLY AND TOGETHER THEY ARE MOUNTED ONTO THE STUDS OF THE RECEIVER. ONCE IN PLACE THE TAKE-DOWN SCREWS ARE INSERTED INTO THEIR RESPECTIVE HOLES AND TIGHTENED INTO PLACE.

## **REASSEMBLY CHECK**

WITH THE CARBINE POINTED IN A SAFE DIRECTION THE BOLT HANDLE SHOULD BE CYCLED FORWARD AND BACKWARD AND LOCKED INTO THE BOLT CATCH. THE MOTION SHOULD BE COMPLETE IN BOTH DIRECTIONS WITH THE BOLT COMING ALL THE WAY FORWARD TO THE BARREL FACE AND THE HANDLE BACKWARD FAR ENOUGH FOR THE BOLT HANDLE TO BE ENGAGED INTO THE BOLT CATCH, BUT NOT BACK TO THE TAKE-DOWN HOLE.

## **INTERCHANGING CALIBERS**

THE J R CARBINE CAN BE CHANGED FROM ONE CALIBER TO ANOTHER BY REMOVING THE BARREL, BOLT, AND MAGAZINE WELL AND EXCHANGING THEM WITH MATCHING COMPONENTS FOR ANOTHER CALIBER CARTRIDGE. FOR SPECIFIC DETAILS PLEASE REFER TO THE J R CARBINE CALIBER CONVERSION INSTRUCTIONS PROVIDED WITH YOUR CALIBER CONVERSION KIT.

**!! WARNING: ALWAYS VISUALLY INSPECT YOUR J R CARBINE AFTER CONVERTING IT AND REASSEMBLING IT. IF YOU CONVERT YOUR J R CARBINE TO ANOTHER CALIBER, YOU MUST VISUALLY INSPECT IT TO ENSURE THAT THE BARREL, THE MAGAZINE WELL, AND THE BOLT ARE ALL DESIGNATED FOR THE SAME CALIBER BEFORE YOU FIRE THE CARBINE AGAIN FOR ANY REASON. IF YOU FAIL TO FOLLOW THIS RULE YOU OR OTHERS MAY SUFFER SERIOUS INJURY OR DEATH AS A RESULT.**

## CLEANING

YOUR CARBINE SHOULD BE CLEANED BY BRUSHING THE BARREL BORE AND CHAMBER WITH EITHER **SLIP 2000 EWL** OR A GOOD POWDER REMOVING SOLVENT AND BORE BRUSH. AFTER USING A BORE BRUSH AND SOLVENT SWAB OUT THE BORE AND CHAMBER WITH A PROPER BORE ROD AND PATCHES UNTIL THE PATCHES COME OUT CLEAN. AFTER CLEANING PUSH A CLEAN PATCH SATURATED WITH EITHER **SLIP 2000 EWL** OR GUN OIL THROUGH THE BORE FOLLOWED BY A CLEAN DRY PATCH.

THE BOLT, BOLT EXTENSION, RECEIVER, AND EJECTOR PLATE SHOULD BE DISASSEMBLED AND CLEANED IN A SIMILAR MANNER. **LUBRICATE THEM WITH SLIP 2000 PRIOR TO REASSEMBLY.**

NOTE: YOUR J R CARBINE HAS BEEN TEST FIRED BY THE MANUFACTURER BEFORE BEING SHIPPED. AS A RESULT YOU MAY NOTICE A SLIGHT AMOUNT OF NORMAL POST-FIRING RESIDUE REMAINING WITHIN THE CARBINE'S MECHANISM.

## DISCLAIMER OF LIABILITY

JUST RIGHT CARBINES SHALL NOT BE RESPONSIBLE FOR PRODUCT MALFUNCTIONING OR FOR PHYSICAL INJURY, DEATH OR DAMAGE TO PROPERTY RESULTING FROM EITHER INTENTIONAL OR ACCIDENTAL DISCHARGE OF THIS FIREARM, ITS CRIMINAL OR NEGLIGENT USE, IMPROPER OR CARELESS HANDLING, UNAUTHORIZED MODIFICATIONS OR ALTERATIONS, USE OF DEFECTIVE OR IMPROPER OR HAND-LOADED OR RELOADED AMMUNITION, OR FROM ITS USE FOR PURPOSES OR SUBJECTION TO TREATMENT FOR WHICH IT WAS NOT DESIGNED. JUST RIGHT CARBINES WILL NOT HONOR CLAIMS MADE BY SUBSEQUENT OWNERS OF THE FIREARM.

## LEAD EXPOSURE WARNING

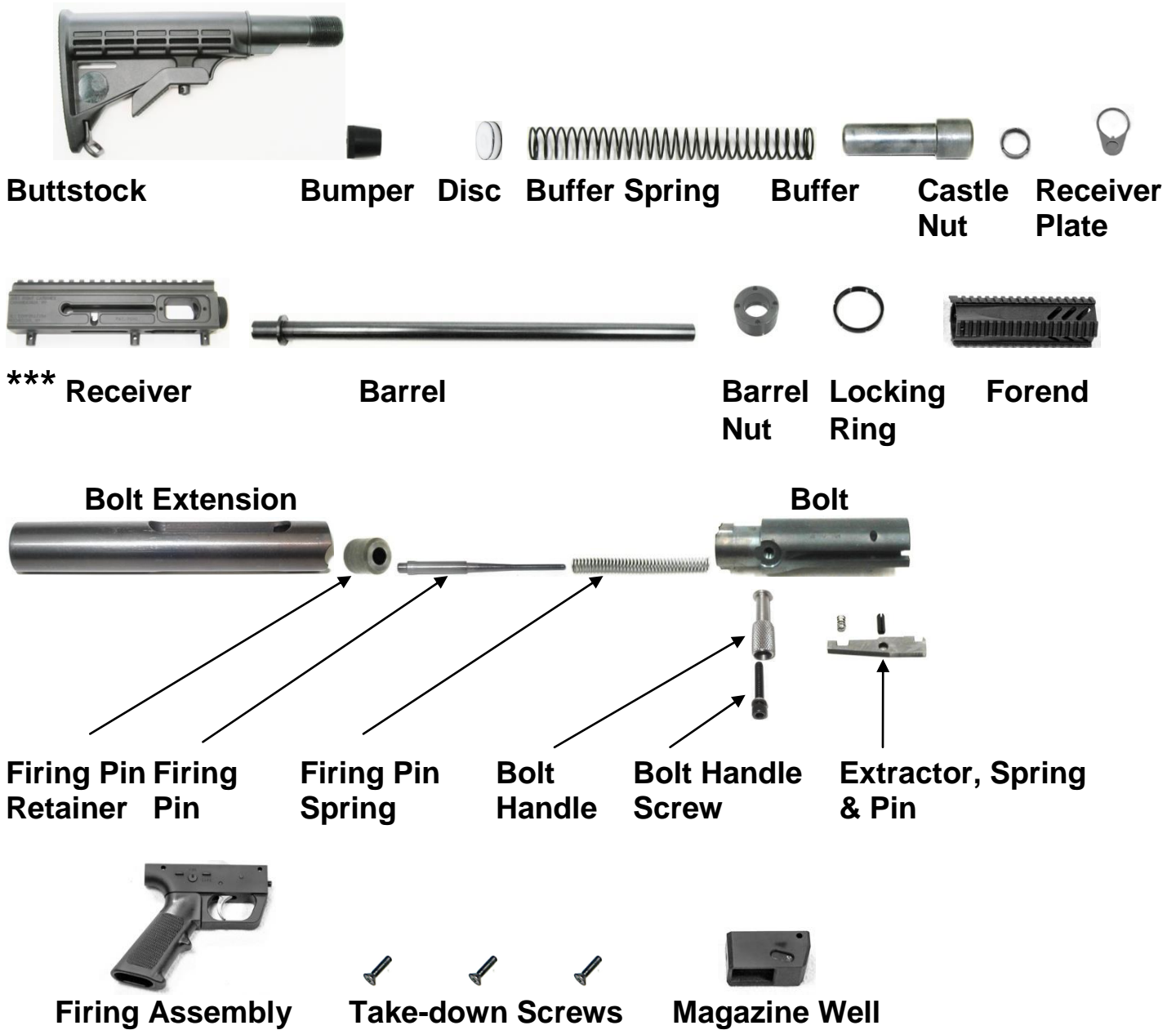
**!! WARNING: POTENTIAL LEAD EXPOSURE. DISCHARGING FIREARMS IN POORLY VENTILATED AREAS, CLEANING FIREARMS OR HANDLING AMMUNITION MAY RESULT IN EXPOSURE TO LEAD AND OTHER SUBSTANCES KNOWN TO CAUSE BIRTH DEFECTS, REPRODUCTIVE HARM AND OTHER SERIOUS PHYSICAL INJURY. HAVE ADEQUATE VENTILATION AT ALL TIMES. WASH YOUR HANDS THOROUGHLY AFTER EXPOSURE. SHOOTING OR CLEANING GUNS MAY EXPOSE YOU TO LEAD.**

## LUBRICATION

YOUR J R CARBINE IS ENGINEERED TO REQUIRE ONLY MINIMAL LUBRICATION. **WE HIGHLY RECOMMEND** USING **SLIP 2000 EWL (EXTREME WEAPONS LUBRICANT)** FOR BOTH LUBRICATION AND CLEANING IF POSSIBLE. OTHERWISE USE A SPRAY ON DRY LUBRICANT SPARINGLY. **DO NOT OIL.** [NOTE: YOU MAY APPLY A VERY LIGHT COAT OF GUN OIL BETWEEN USES TO PROTECT AGAINST MOISTURE. IF YOU DO, YOU **MUST** BE SURE TO CLEAN AND REMOVE ANY EXCESS OIL FROM INSIDE THE ACTION OF YOUR CARBINE PRIOR TO SHOOTING.

FAILURE TO DO SO CAN RESULT IN EXCESS OIL AND UNBURNED GUNPOWDER BEING BLOWN OUT OF THE CHARGING HANDLE SLOT ON THE SIDE OF THE RECEIVER OPPOSITE THE CHARGING HANDLE, POTENTIALLY CAUSING SEVERE INJURY TO THE SHOOTER'S FACE AND EYES.

## J R CARBINE PARTS LIST



**\*\*\* Shown without Ejector Plate**

**NOTE: PARTS SHOWN ABOVE ARE FOR ILLUSTRATION PURPOSES ONLY. ACTUAL CONFIGURATION AND DIMENSIONS MAY VARY BETWEEN MODELS AND VERSIONS**

# **WARRANTY SERVICE POLICY & PROCEDURE**

## **2 YEAR LIMITED WARRANTY**

### **(FROM DATE OF PURCHASE BY ORIGINAL PURCHASER)**

JUST RIGHT CARBINES (JRC) PROVIDES WARRANTY SERVICES, PARTS AND REPAIRS FOR ALL OF OUR PRODUCTS. IF YOU BELIEVE YOUR JRC PRODUCT NEEDS SERVICE OR REPLACEMENT, PLEASE CONTACT 1- (877) 778-8452 OR EMAIL [sales@justrightfirearms.com](mailto:sales@justrightfirearms.com). ONE OF OUR REPRESENTATIVES WILL ASSIST YOU AND PROVIDE ALL INSTRUCTIONS.

IF YOU ARE CONTACTING JRC FOR SERVICE OF A FIREARM PLEASE HAVE YOUR SERIAL NUMBER AVAILABLE. ALL RETURNS FOR SERVICE OR REPAIR REQUIRE A **RETURN AUTHORIZATION (RA)** NUMBER TO BE ISSUED BY A JRC REPRESENTATIVE. **NO RETURNS FOR SERVICE WILL BE ACCEPTED WITHOUT A JRC-ISSUED RA NUMBER WRITTEN CLEARLY ON THE OUTSIDE OF THE PACKAGE.** ANY ITEMS RECEIVED WITHOUT A JRC-ISSUED RA NUMBER WILL BE RETURNED TO THE SENDER WITHOUT ACTION.

SERVICE TIME MAY VARY DUE TO WORK LOAD AND AVAILABILITY OF PARTS FROM MANUFACTURERS. IT IS THE RESPONSIBILITY OF THE CONSUMER TO SHIP ANY FIREARMS OR PRODUCTS TO JRC FOR SERVICE. **ALL FIREARMS MUST BE REGISTERED BY MAIL-IN REGISTRATION FORM, ONLINE REGISTRATION, OR BY TELEPHONE BEFORE A JRC REPRESENTATIVE CAN ISSUE A RETURN AUTHORIZATION NUMBER.**

IF AN ITEM RECEIVED IS OUTSIDE OF WARRANTY COVERAGE, A JRC REPRESENTATIVE WILL CONTACT YOU BEFORE FURTHER ACTION IS TAKEN.

THE WARRANTIES COVERED BY JRC ARE IMPLEMENTED AND MONITORED BY MANUFACTURERS OF ALL JRC PRODUCTS. JRC RESERVES THE RIGHT TO DENY OR DECLINE ANY WARRANTY SERVICES OR PRODUCTS THAT DO NOT MEET THE WARRANTIES IMPLEMENTED BY OUR MANUFACTURERS.

IF YOU ARE RETURNING A RIFLE FOR SERVICE, YOU MAY SHIP TO JRC VIA US POSTAL SERVICE OR ANY PARCEL DELIVERY SERVICE DIRECTLY TO JRC.

ALL FIREARMS RETURNED TO JRC FOR SERVICE CAN ONLY BE SHIPPED BACK TO THE OWNER OR ORIGINAL SENDER.

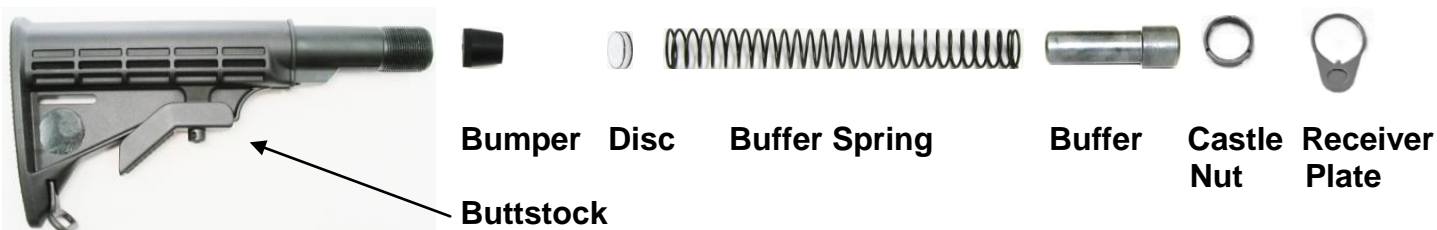
IF YOU HAVE ANY QUESTIONS OR CONCERNS REGARDING JRC'S WARRANTY POLICY OR SERVICES PLEASE CONTACT US AT (877) 778-8452 OR EMAIL AT [sales@justrightfirearms.com](mailto:sales@justrightfirearms.com).

**FOR OUR CANADIAN CUSTOMERS:** FOR WARRANTY SERVICE IN CANADA CONTACT:  
ELLWOOD EPPS SPORTING GOODS @ 705-689-5333



# J R CARBINE BUTTSTOCK/BUFFER ASSEMBLY

**CAUTION: BUTTSTOCK AND BUFFER COMPONENTS MUST BE ASSEMBLED AS SHOWN HERE.**



THE J R CARBINE BUTTSTOCK ASSEMBLY IS A PROPRIETARY DESIGN THAT IS **CRITICAL** TO THE SAFE OPERATION AND PROPER FUNCTION OF THE J R CARBINE. IF YOU DISASSEMBLE YOUR BUTTSTOCK ASSEMBLY FOR ANY REASON YOU **MUST** ENSURE THAT YOU REASSEMBLE THE COMPONENTS IN THE ORDER AND PARTS-ORIENTATION SHOWN ABOVE. FAILURE TO DO SO MAY RESULT IN SERIOUS INJURY AND DAMAGE TO YOUR CARBINE, **AND VOIDS THE MANUFACTURER'S WARRANTY.**

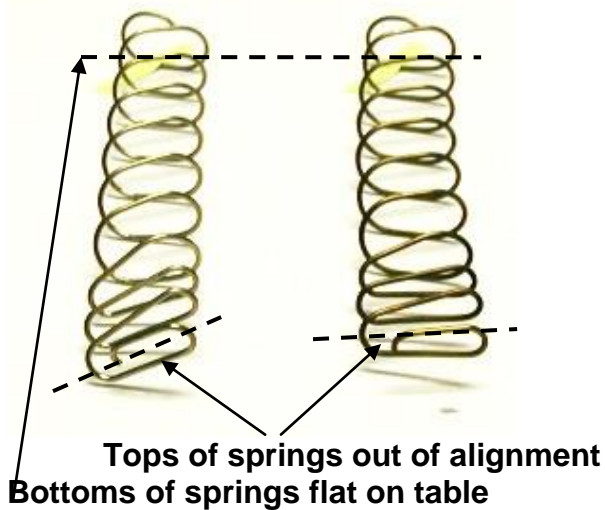
IF YOU INSTALL A DIFFERENT BUTTSTOCK ASSEMBLY THAN THE ONE PROVIDED WITH YOUR J R CARBINE BY THE MANUFACTURER, THE DEPTH OF THE INSIDE OF THE REPLACEMENT BUFFER TUBE MUST MATCH THE DEPTH OF THE ORIGINAL BUFFER TUBE PROVIDED, **PLUS OR MINUS NO MORE THAN 1/8 INCH.** (NOTE: THE INTERNAL BUFFER TUBE DIMENSIONS ARE DIFFERENT FOR THE .45 ACP VERSION AND FOR THE CARBINES OF ALL CALIBERS MANUFACTURED AFTER JANUARY / FEBRUARY 2013. REGARDLESS OF WHICH BUFFER TUBE LENGTH YOUR CARBINE HAS, YOU MUST ENSURE THAT YOU MAINTAIN THAT SAME INTERNAL DIMENSION. IF YOUR REPLACEMENT BUFFER TUBE IS SIGNIFICANTLY SHORTER THAN THE ORIGINAL, YOU MAY NEED TO ORDER AND INSTALL OUR BUFFER TUBE EXTENSION KIT TO MAINTAIN THE PROPER DIMENSION.)

YOU **MUST** ENSURE THE FOLLOWING:

1. IF YOUR REPLACEMENT BUFFER TUBE IS **SHORTER** THAN THE ORIGINAL, YOUR J R CARBINE MAY NOT FUNCTION PROPERLY, AND IT MAY BE IMPOSSIBLE TO LOCK THE BOLT TO THE REAR FOR CHAMBER CLEARING AND SAFETY PURPOSES. THIS IS AN UNSAFE CONDITION, AND THE MANUFACTURER WILL NOT BE HELD RESPONSIBLE FOR ANY RESULTING INJURY OR DAMAGE.
2. IF YOUR REPLACEMENT BUFFER TUBE IS **LONGER** THAN THE ORIGINAL, YOU **MUST INSTALL A SPACER** IN THE BOTTOM OF THE BUFFER TUBE TO MAKE UP THE DIFFERENCE AND MAKE THE BUFFER TUBE DEPTH IDENTICAL TO THAT OF THE ORIGINAL. IF YOU HAVE TO USE A SPACER, IT MUST BE INSTALLED FIRST, **BEFORE** ANY OF THE OTHER COMPONENTS. FAILURE TO INSTALL – OR TO **PROPERLY** INSTALL – A SPACER WILL, AT A MINIMUM, KEEP YOUR J R CARBINE FROM OPERATING PROPERLY AND SAFELY. A BENT OR BROKEN CHARGING HANDLE INDICATES AN IMPROPERLY ASSEMBLED BUTTSTOCK, AND **IS NOT COVERED BY WARRANTY.**

## ALL GLOCK™ MAGAZINES ARE NOT CREATED EQUAL

THE SPRINGS BELOW CAME FROM TWO IDENTICAL GLOCK MAGAZINES. THEY BOTH CONTAIN A DEGREE OF MISALIGNMENT/TWIST BETWEEN THE BOTTOM (FLOORPLATE END) AND THE TOP (FOLLOWER END). THE DEGREE OF MISALIGNMENT IS NOT CONSISTENT FROM MAGAZINE TO MAGAZINE. FOR EXAMPLE, THE SPRINGS BELOW CAME FROM TWO MAGAZINES TAKEN *FROM THE SAME BULK LOT* PURCHASED FROM A WHOLESALE DISTRIBUTOR.



SPRING MISALIGNMENT PUTS ROTATIONAL PRESSURE ON THE FOLLOWER, CAUSING FRICTION BETWEEN THE FOLLOWER AND THE UPPER SIDES OF THE MAGAZINE. THIS INCREASED FRICTION, WHEN COUPLED WITH REDUCED SPRING PRESSURE AS THE MAGAZINE EMPTIES, CAN CONTRIBUTE TO FEEDING PROBLEMS.

IF YOU EXPERIENCE FEEDING PROBLEMS WITH THE LAST 1-3 ROUNDS IN THE MAGAZINE, REMOVE THE MAGAZINE FLOORPLATE AND EXAMINE THE SPRING FOR MISALIGNMENT. CAREFULLY ADJUSTING THE BENDS IN THE SPRING COILS TO BRING THE TOP AND BOTTOM INTO ALIGNMENT – WHILE MAINTAINING OVERALL SPRING SHAPE AND DIMENSIONS – SHOULD IMPROVE FEEDING.

## J R CARBINE WARRANTY REGISTRATION

PLEASE COMPLETE THIS REGISTRATION FORM TO FACILITATE ANY FUTURE WARRANTY OR REPAIR WORK YOU MAY NEED, AND TO ENABLE JUST RIGHT CARBINES TO CONTACT YOU IN THE EVENT OF ANY PRODUCT NOTICES OR UPGRADES. THIS INFORMATION WILL BE MAINTAINED FOR THESE PURPOSES ONLY. IT WILL NOT BE USED FOR MARKETING OR MARKET RESEARCH, AND WILL NOT BE SOLD TO OR SHARED WITH OTHER COMPANIES.

PLEASE MAIL YOUR COMPLETED REGISTRATION CARD TO:

JUST RIGHT CARBINES, LLC  
ATTN: WARRANTY REGISTRATION  
231 SALTONSTALL STREET  
CANANDAIGUA, NY 14424

FIRST NAME: \_\_\_\_\_

LAST NAME: \_\_\_\_\_

ADDRESS: \_\_\_\_\_

CITY: \_\_\_\_\_

STATE: \_\_\_\_\_

ZIP: \_\_\_\_\_

EMAIL ADDRESS: \_\_\_\_\_

PLACE OF PURCHASE: \_\_\_\_\_

DATE OF PURCHASE: \_\_\_\_\_

### YOUR J R CARBINE

SERIAL NUMBER: \_\_\_\_\_

MODEL (CIRCLE ONE): UNRESTRICTED      RESTRICTED STATE      CALIFORNIA  
(CT, MA, NJ, NY)

CALIBER (CIRCLE ONE):      9MM      .40S&W      .45ACP

MAGAZINE TYPE (CIRCLE ONE):      GLOCK      1911

C  
u  
t  
H  
e  
r  
e

